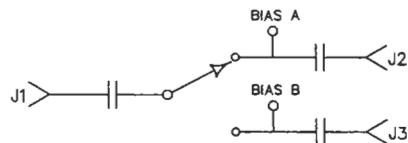


## DESCRIPTION

AMC MODEL SWN-218-2DR-STANDARD OPTIONS: 118, HPR1W, B01, MP IS A SINGLE POLE TWO THROW SWITCH DESIGNED FOR THE 1 TO 18 GHz FREQUENCY RANGE HAVING AN INSERTION LOSS OF 3.0 dB MAXIMUM AND ISOLATION OF 80 dB MINIMUM.

## SPECIFICATIONS

- FREQUENCY RANGE: ..... 1 - 18 GHz
- INSERTION LOSS: ..... 2.5 dB TYPICAL  
3.0 dB MAXIMUM
- ISOLATION: ..... 80 dB MINIMUM
- VSWR: ..... 2.0:1
- SPEED: ..... RISE: 15 nSec MAXIMUM  
FALL: 15 nSec MAXIMUM  
DELAY ON: 100 nSec MAXIMUM  
DELAY OFF: 100 nSec MAXIMUM
- POWER INPUT: ..... (CW) +20 dBm (STANDARD)  
+10 dBm (HIGH SPEED)
- SURVIVAL POWER: ..... 1 WATT CW, 10 WATTS PEAK 1 uSec
- CONTROL: ..... TTL LOGIC "0" = ON J1-J2  
TTL LOGIC "1" = ON J1-J3
- POWER SUPPLY: ..... +5V @ 100 mA MAXIMUM  
-12V @ 75 mA MAXIMUM



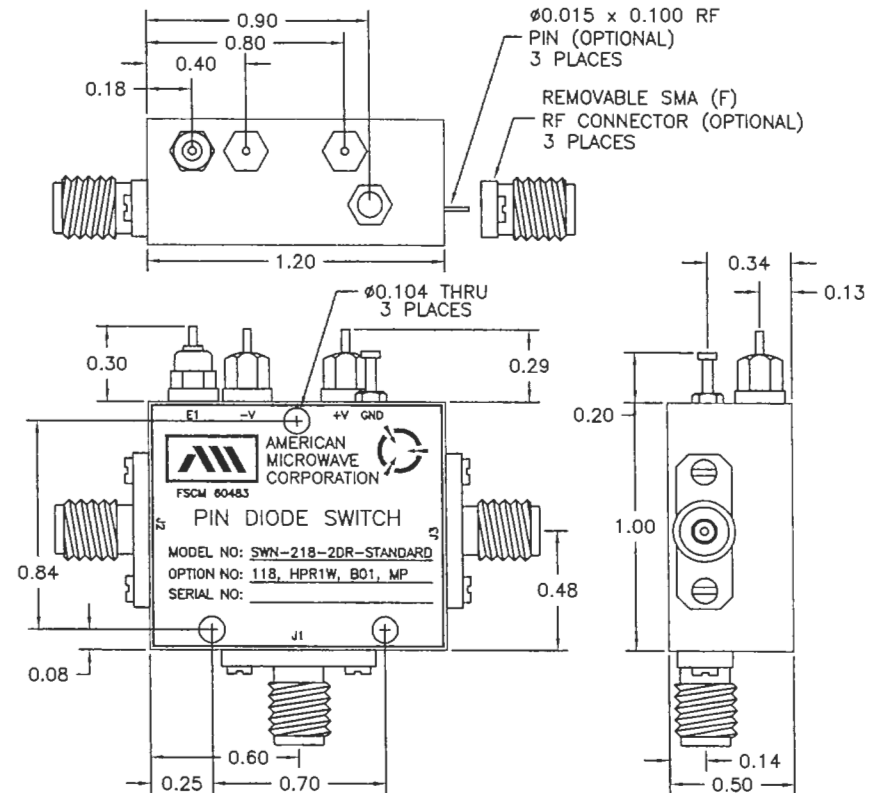
## ENVIRONMENTAL RATINGS

- TEMPERATURE ..... -55°C TO +85°C (OPERATING)  
-65°C TO +125°C (STORAGE)
- HUMIDITY ..... MIL-STD-202F, METHOD 103B COND. B
- SHOCK ..... MIL-STD-202F, METHOD 213B COND. B
- VIBRATION ..... MIL-STD-202F, METHOD 204D COND. B
- ALTITUDE ..... MIL-STD-202F, METHOD 105C COND. B
- TEMPERATURE CYCLE ..... MIL-STD-202F, METHOD 107D COND. A

NOTE: SPECIFICATIONS WILL VARY OVER TEMPERATURE  
NOTE: THE ABOVE SPECIFICATIONS ARE SUBJECT TO CHANGE OR REVISION

ALL DIMENSIONS ARE IN INCHES  
TOLERANCES:  
X.XX ±0.010  
X.XXX ±0.005

REVISIONS				
ZONE	REV.	DESCRIPTION	DATE	APPROVED
-		ORIGINAL RELEASE JOB# 407167	7/28/04	



## AMERICAN MICROWAVE CORPORATION

7311-G GROVE ROAD  
FREDERICK, MARYLAND 21704 USA  
TEL: 301-662-4700 FAX: 301-662-4938  
WEBSITE: [www.americanmicrowavecorp.com](http://www.americanmicrowavecorp.com)  
E-MAIL: [sales@americanmicrowavecorp.com](mailto:sales@americanmicrowavecorp.com)  
ISO 9001:2000 CERTIFIED



APPROVALS		DATE	TITLE			REV.
DRAWN	JDJ	7/28/04	PRODUCT FEATURE SWN-218-2DR-STANDARD OPTION: 118, HPR1W, B01, MP 1 - 18 GHz SINGLE POLE TWO THROW SWITCH			-
CHECKED	PA	7/28/04	SIZE	FSCM NO.	DWG NO.	
ISSUED			A	60483	100-7057	
			SCALE	N:S	SHEET	1 OF 3